

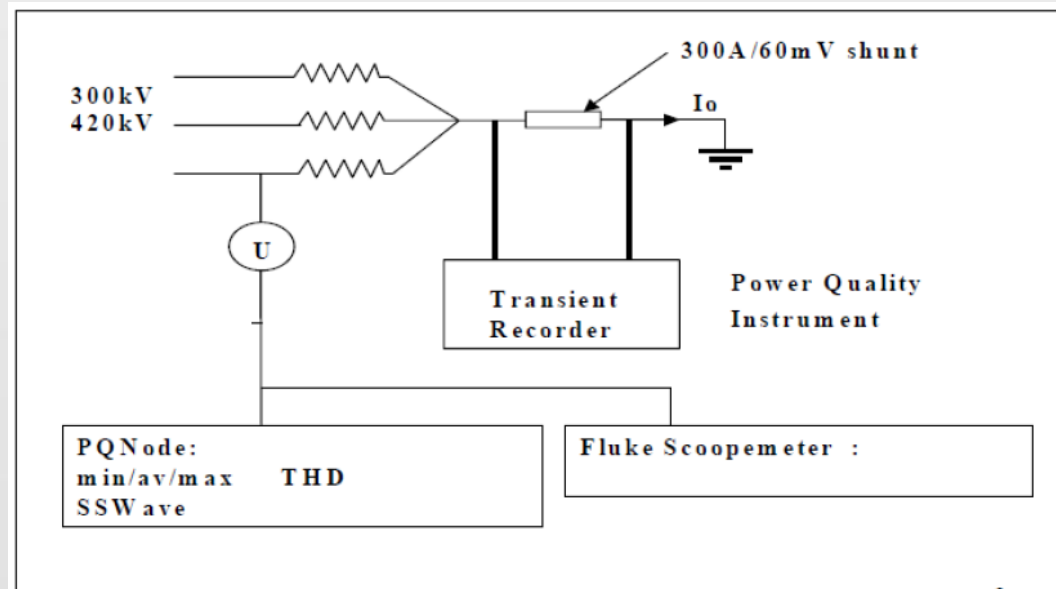
Measurement of GIC in the Norwegian High Voltage Grid

Øyvind A Rui,

Evald Sæthre, Trond Ohnstad

Measurement equipment

- Measurement of
 - DC current
 - AC voltages
- Installed on selected transformers in the grid



24th of April event

- ⊙ Solar storm registered from magnetometer at Dombås
- ⊙ Neutral current registered in Sylling
 - ⊙ DC component 6.9 A
 - ⊙ Max current 40 A
- ⊙ Measurements will be conducted during solar cycle 24

